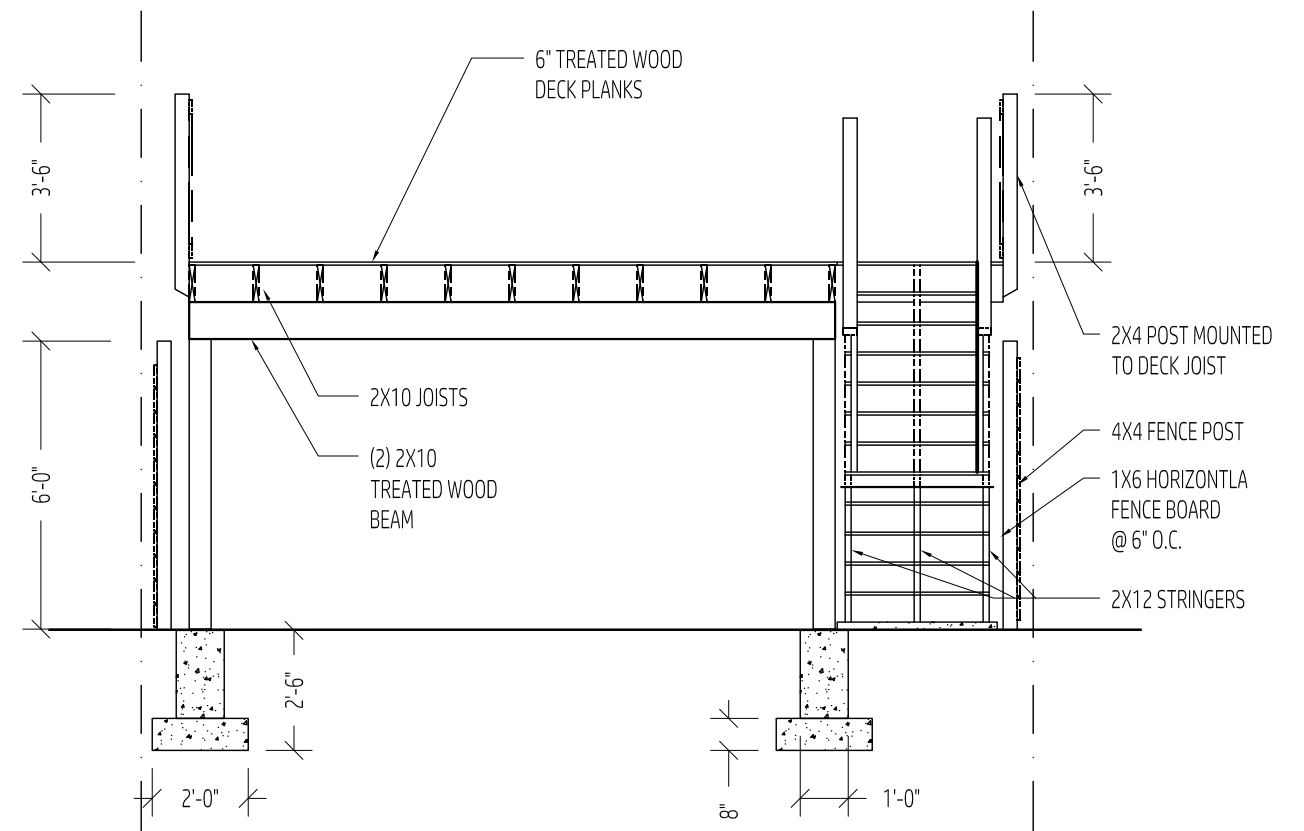


1
A-02
CROSS SECTION
SCALE: 1/4"=1'-0"



2
A-02
TRANSVERSE SECTION
SCALE: 1/4"=1'-0"

POLITE ENGINEERING, LLC
111 TEACHERS WAY, APT 4203
GAITHERSBURG, MD 20877
(301) 200-1988
SP@POLITEENGR.COM

DATE: 02/24/2020
PROJECT ID#: 071A

FARZAAM AND SONIA'S
NEW DECK
220 ASCOT PL NE
WASHINGTON, DC 20002

#	DESCRIPTION	DATE
1	FOR PERMIT	02-24-20
	S003: SECTIONS	
	SCALE: 1/4" - 1'-0"	

Board of Zoning Adjustment
District of Columbia
CASE NO.20196
EXHIBIT NO.54